



DVME28 Series

HIGH RELIABILITY HYBRID EMI FILTERS

DESCRIPTION

The DVME series of hybrid EMI filters is operable over the full military (-55 °C to +125 °C) temperature range with no power derating. The DVME EMI filter is designed to filter conducted emissions of two DVFL series DC-DC converters.

These filters are designed and manufactured in a facility qualified to ISO9001 and certified to MIL-PRF-38534 and MIL-STD-883.

This product may incorporate one or more of the following U.S. patents:

- 5,784,266
- 5,790,389
- 5,963,438
- 5,999,433
- 6,005,780
- 6,084,792
- 6,118,673

FEATURES

- High Reliability
- Wide Input Voltage Range: 0 to 50 Volts per MIL-STD-704
- Up to 15.0 Amps Maximum Current
- 40 dB Minimum Attenuation at 500 kHz
- Industry Standard Pinout
- High Input Transient Voltage: 80 Volts for 1 sec per MIL-STD-704A
- Precision Seam Welded Hermetic Package
- Custom Versions Available
- Additional Environmental Screening Available
- Meets MIL-STD-461C and MIL-STD-461D EMC Requirements
- Protects Against Conducted Susceptibility Specified in MIL-STD-461C, CS01 and CS02
- MIL-PRF-38534 Element Evaluated Components

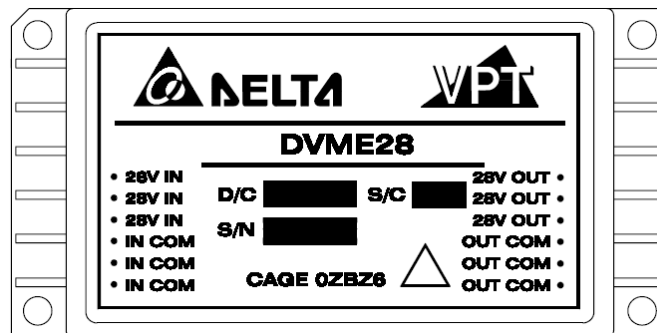


Figure 1 – DVME28 EMI Filter
(Exact marking may differ from that shown)

SPECIFICATIONS ($T_{CASE} = -55^{\circ}\text{C}$ to $+125^{\circ}\text{C}$, $V_{IN} = +28\text{V} \pm 5\%$, Full Load, Unless Otherwise Specified)

ABSOLUTE MAXIMUM RATINGS

Input Voltage (Continuous)	50 V _{DC}	Storage Temperature	-65°C to +150°C
Input Voltage (Transient, 1 second)	80 Volts	Lead Solder Temperature (10 seconds)	300°C
Output Current	15.0 Amps	Weight (Maximum) – without Pin Extensions	83 grams
Power Dissipation (Full Load, $T_{CASE} = +125^{\circ}\text{C}$)	15.75 Watts		

Parameter	Conditions	DVME28			Units
		Min	Typ	Max	
STATIC					
INPUT Voltage ²	Continuous	0	28	50	V
	Transient, 1 sec	-	-	80	V
Current ^{1,2,3}	Continuous	0	-	15.0	A
OUTPUT Voltage ²	Continuous	$V_{OUT} = V_{IN} - (I_{IN} \times R_{DC})$			V
Current ^{2,3}	Continuous	0	-	15.0	A
DC RESISTANCE	Continuous	-	-	70	mΩ
POWER DISSIPATION ²	Continuous	-	-	15.75	W
NOISE REJECTION	f = 500 kHz	40	-	-	dB
CAPACITANCE	Pin to Case	60	-	100	nF
ISOLATION	Any Pin to Case, 500 V _{DC}	100	-	-	MΩ
MTBF (MIL-HDBK-217F)	AIF @ $T_c = 55^{\circ}\text{C}$	-	0.957	-	MHrs

- Notes:
1. Derate linearly to 0 at 135°C.
 2. Verified by qualification testing.
 3. Rated current applies at any voltage.

BLOCK DIAGRAM

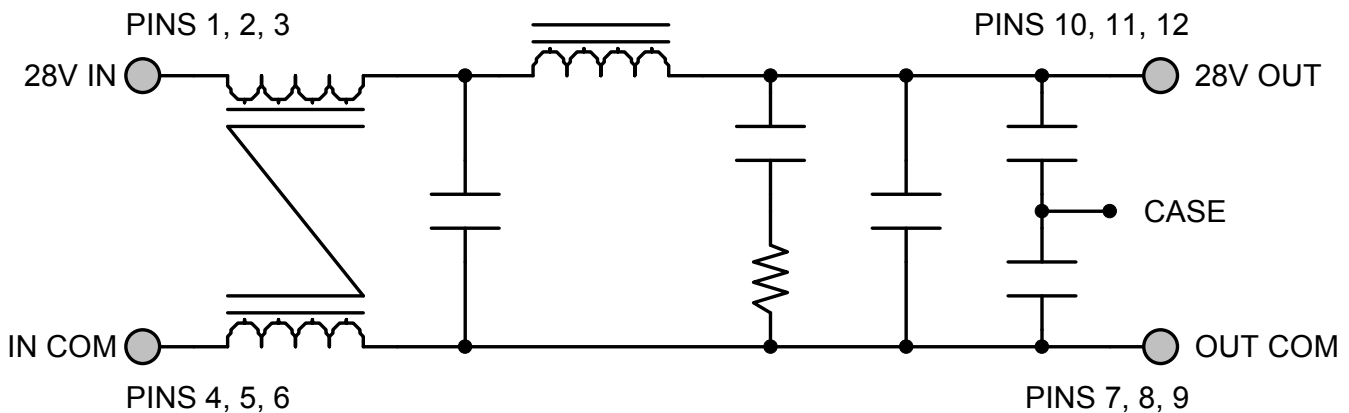


Figure 2

CONNECTION DIAGRAMS

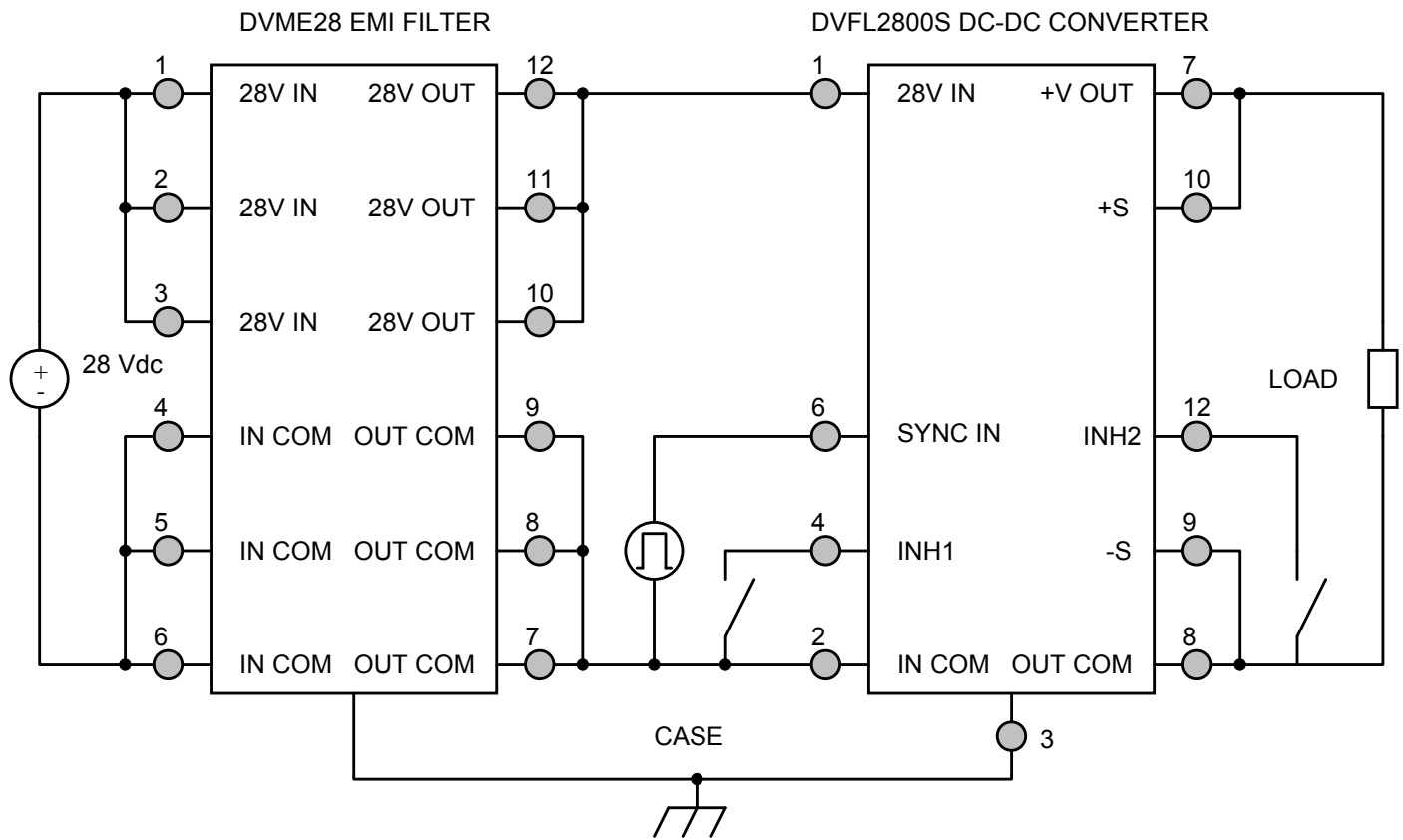


Figure 3 – DVME28 EMI Filter Hookup with Single Converter

CONNECTION DIAGRAMS

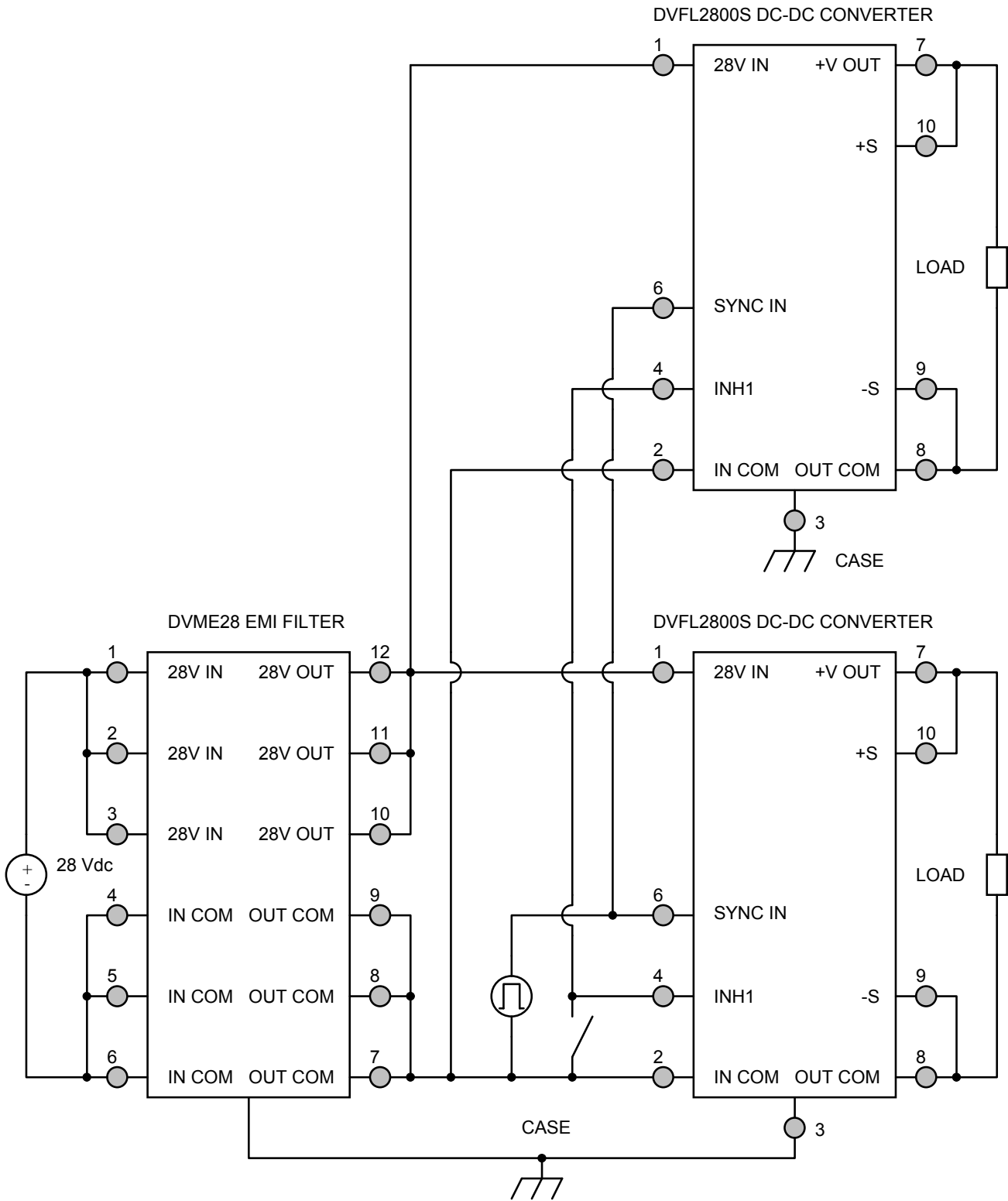


Figure 4 – DVME28 EMI Filter Hookup with Two Converters

EMI MEASUREMENT METHODS CONNECTION DIAGRAMS

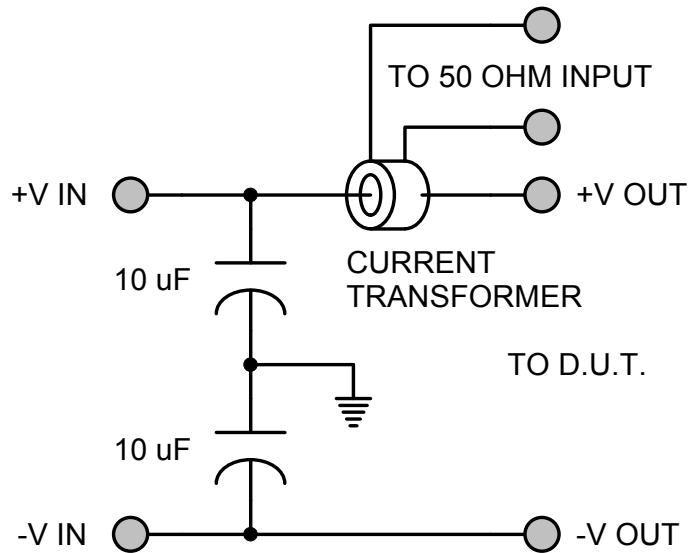


Figure 5 – MIL-STD-461C Measurement Method (Feedthrough Capacitor)

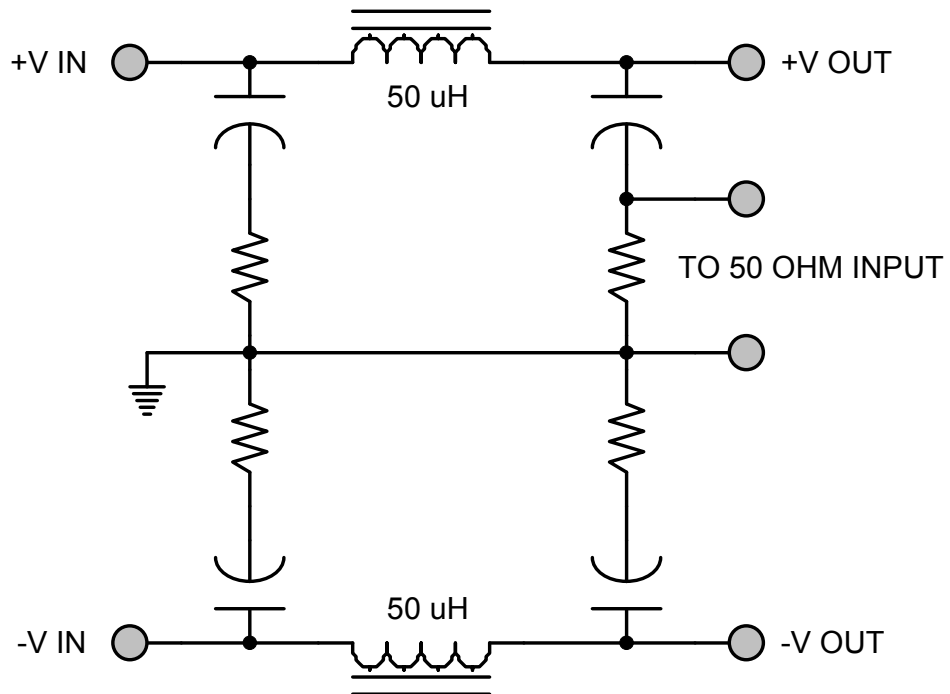


Figure 6 – MIL-STD-461D Measurement Method (LISN)

EMI PERFORMANCE CURVES

($T_{CASE} = 25^{\circ}C$, $V_{IN} = +28V \pm 5\%$, Full Load, Unless Otherwise Specified)

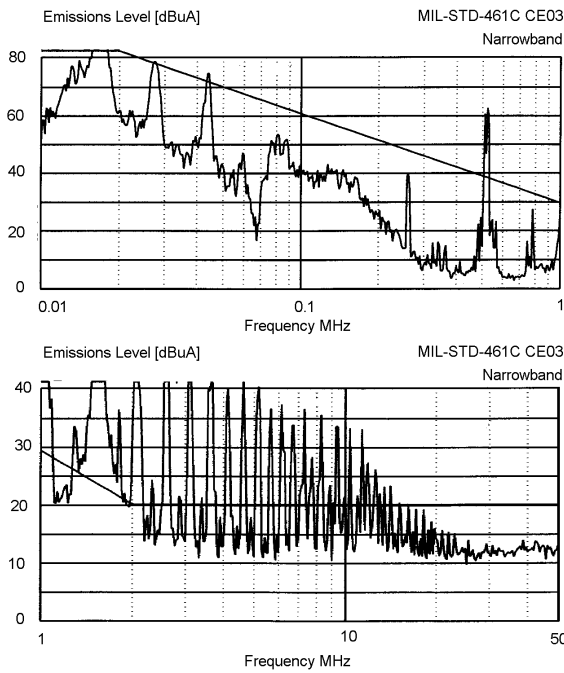


Figure 7 – MIL-STD-461C
DVFL2800D Without EMI Filter

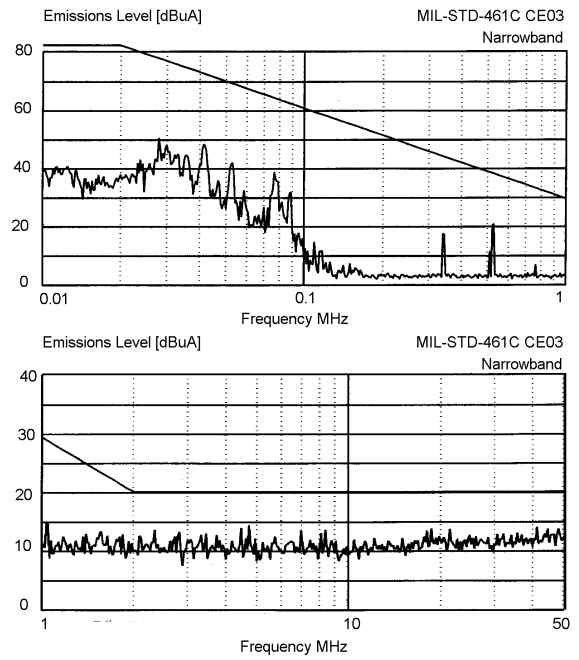


Figure 8 – MIL-STD-461C
DVFL2800D With DVME28 EMI Filter

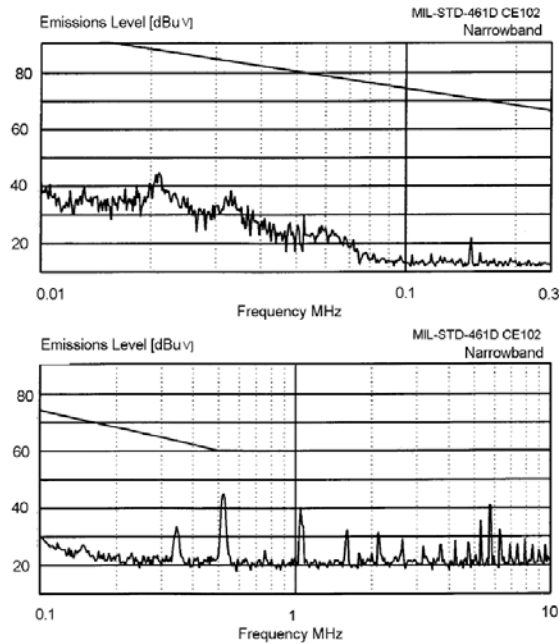
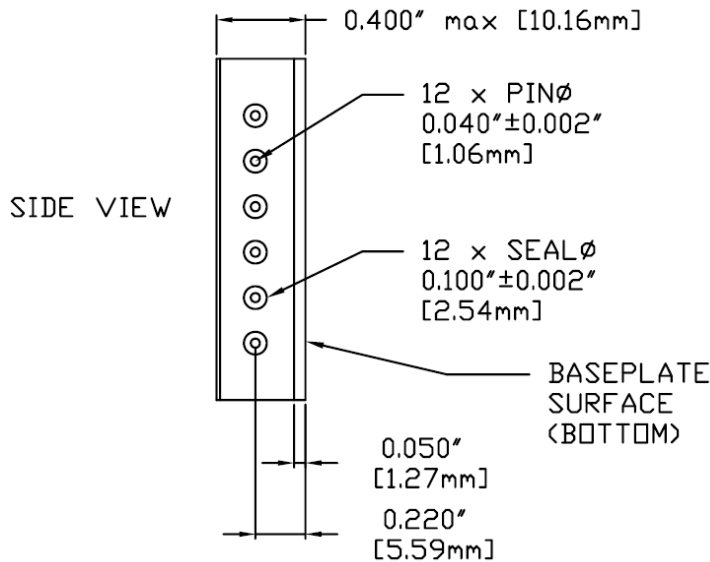
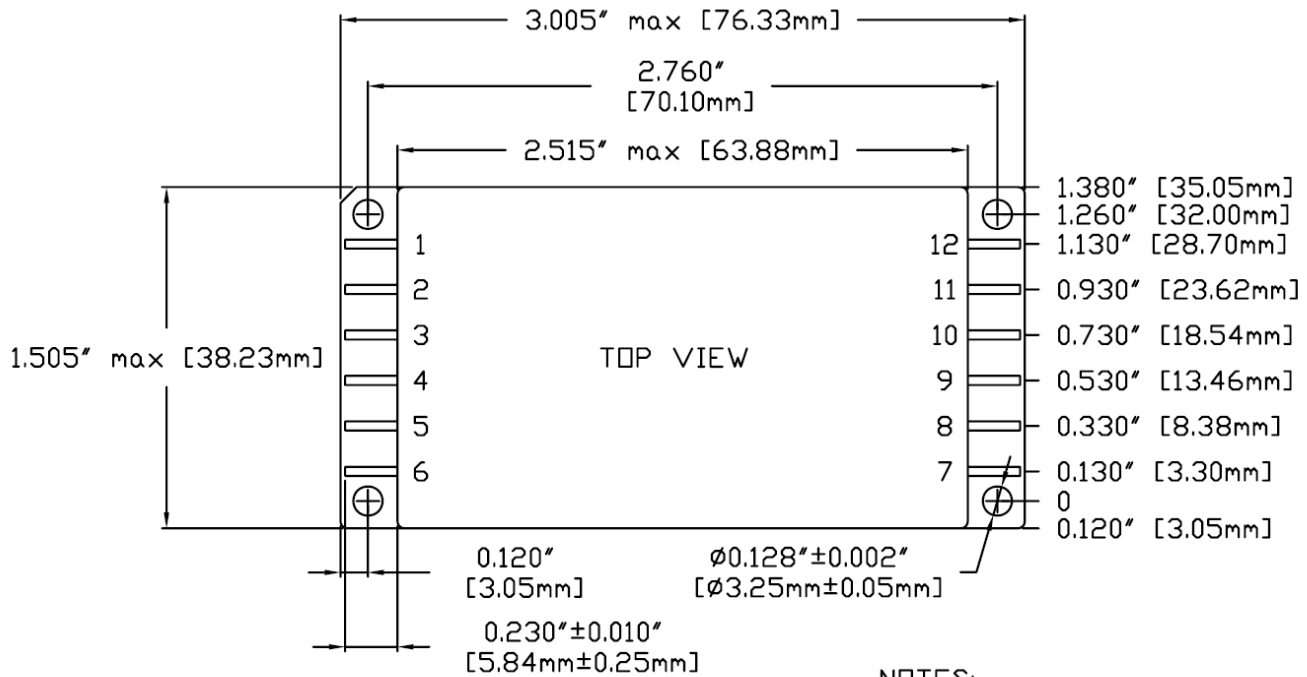


Figure 9 – MIL-STD-461D
DVFL2800S With DVME28 EMI Filter

PACKAGE SPECIFICATIONS



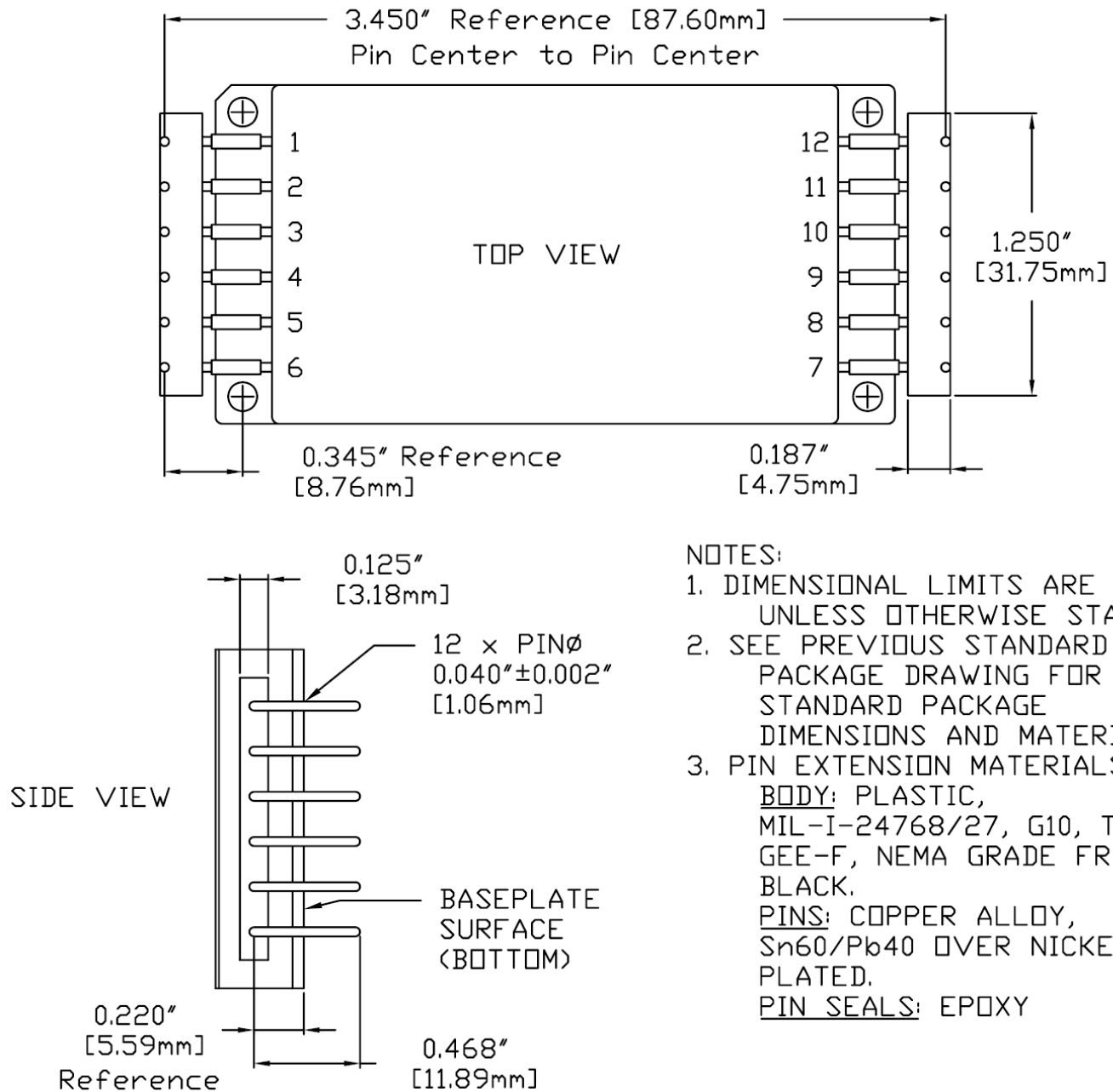
NOTES:

1. DIMENSIONAL LIMITS ARE $\pm 0.005"$ UNLESS OTHERWISE STATED.
2. CASE TEMPERATURE IS MEASURED ON THE CENTER OF THE BASEPLATE.
3. MOUNTING HOLES ARE NOT THREADED. RECOMMENDED FASTENER IS #4-40 SCREW.
4. MATERIALS:
CASE: STEEL, GOLD OVER NICKEL PLATED.
COVER: KOVAR, NICKEL PLATED.
PINS: COPPER CORED ALLOY 52, GOLD OVER NICKEL PLATED.
PIN SEALS: GLASS

PIN	FUNCTION	PIN	FUNCTION	PIN	FUNCTION	PIN	FUNCTION
1	28V IN	4	IN COM	7	OUT COM	10	28V OUT
2	28V IN	5	IN COM	8	OUT COM	11	28V OUT
3	28V IN	6	IN COM	9	OUT COM	12	28V OUT

Figure 10 – Package and Pinout

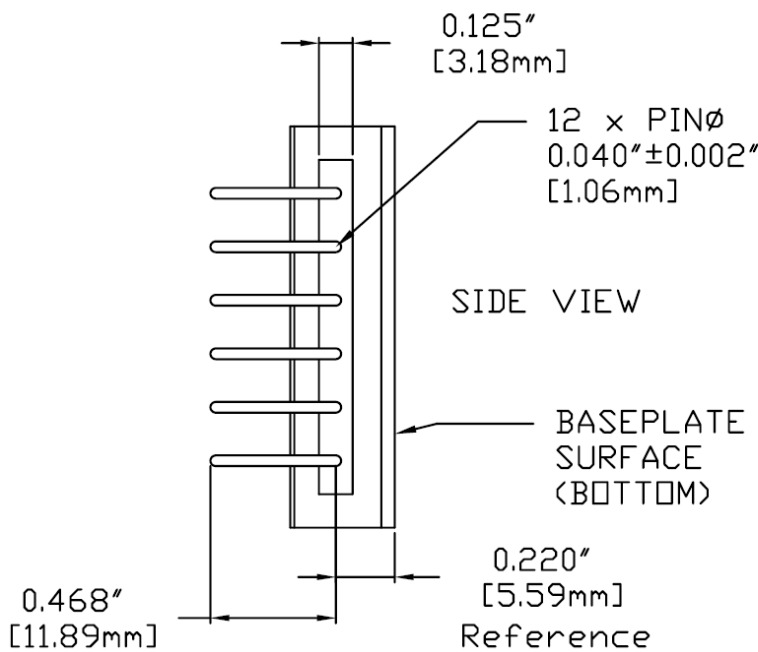
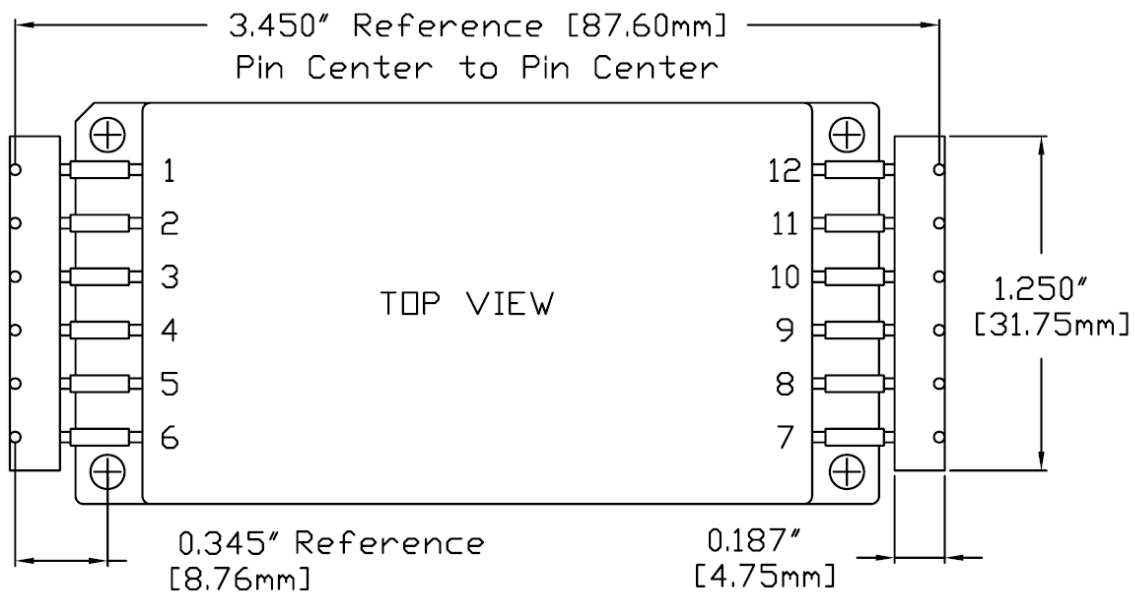
PACKAGE SPECIFICATIONS (DOWN-LEADED)



PIN	FUNCTION	PIN	FUNCTION	PIN	FUNCTION	PIN	FUNCTION
1	28V IN	4	IN COM	7	OUT COM	10	28V OUT
2	28V IN	5	IN COM	8	OUT COM	11	28V OUT
3	28V IN	6	IN COM	9	OUT COM	12	28V OUT

Figure 11 – Package and Pinout (With Down-Leaded Pin Extensions Added)

PACKAGE SPECIFICATIONS (UP-LEADED)



NOTES:

1. DIMENSIONAL LIMITS ARE $\pm 0.005"$ UNLESS OTHERWISE STATED.
2. SEE PREVIOUS STANDARD PACKAGE DRAWING FOR STANDARD PACKAGE DIMENSIONS AND MATERIALS.
3. PIN EXTENSION MATERIALS:
BODY: PLASTIC, MIL-I-24768/27, G10, TYPE GEE-F, NEMA GRADE FR4, BLACK.
PINS: COPPER ALLOY, Sn60/Pb40 OVER NICKEL PLATED.
PIN SEALS: EPOXY

PIN	FUNCTION	PIN	FUNCTION	PIN	FUNCTION	PIN	FUNCTION
1	28V IN	4	IN COM	7	OUT COM	10	28V OUT
2	28V IN	5	IN COM	8	OUT COM	11	28V OUT
3	28V IN	6	IN COM	9	OUT COM	12	28V OUT

Figure 12 – Package and Pinout (With Up-Leaded Pin Extensions Added)

PACKAGE PIN DESCRIPTION

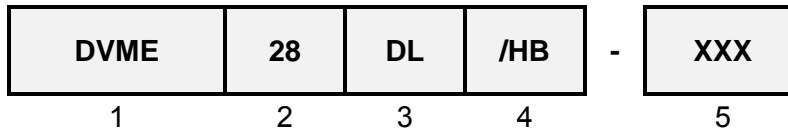
Pins	Function	Description
1, 2, 3	28V IN	Positive Input Voltage Connection
4, 5, 6	IN COM	Input Common Connection
7, 8, 9	OUT COM	Output Common Connection
10, 11, 12	28V OUT	Positive Output Voltage Connection

ENVIRONMENTAL SCREENING (100% Tested Per MIL-STD-883 as referenced to MIL-PRF-38534)

Screening	MIL-STD-883	Standard (No Suffix)	Extended /ES	HB /HB	Class H /H	Class K /K
Non-Destructive Bond Pull	N/A – Products do not contain Wirebonds	N/A	N/A	N/A	N/A	N/A
Internal Visual	Method 2017, 2032 Internal Procedure	•	•	•	•	•
Temperature Cycling	Method 1010, Condition C Method 1010, -55°C to 125°C		•	•	•	•
Constant Acceleration	Method 2001, 3000g, Y1 Direction Method 2001, 500g, Y1 Direction		•	•	•	•
PIND	Method 2020, Condition A ²					•
Pre Burn-In Electrical	100% at 25°C					•
Burn-In	Method 1015, 320 hours at +125°C Method 1015, 160 hours at +125°C 96 hours at +125°C 24 hours at +125°C	•	•	•	•	•
Final Electrical	MIL-PRF-38534, Group A ¹ 100% at 25°C	•	•	•	•	•
Hermeticity	Method 1014, Fine Leak, Condition A Method 1014, Gross Leak, Condition C Dip (1 x 10 ⁻³)	•	•	•	•	•
Radiography	Method 2012 ³					•
External Visual	Method 2009	•	•	•	•	•

- Notes:
1. 100% R&R testing at -55°C, +25°C, and +125°C with all test data included in product shipment.
 2. PIND test Certificate of Compliance included in product shipment.
 3. Radiographic test Certificate of Compliance and film(s) included in product shipment.

ORDERING INFORMATION



(1)

(2)

(3)

(4)

(5)

Product Series	Nominal Input Voltage		Package Option		Screening Code ^{1, 2}		Additional Screening Code
DVME	28	28 Volts	None DL UL	Standard Down-Lead Up-Lead	None /ES /HB /H ³ /K	Standard Extended HB Class H Class K	Contact Sales

- Notes:
1. Contact the VPT Inc. Sales Department for availability of Class H (/H) or Class K (/K) qualified products.
 2. VPT Inc. reserves the right to ship higher screened or SMD products to meet lower screened orders at our sole discretion unless specifically forbidden by customer contract.
 3. Class H version is available only for standard package option.

Please contact your sales representative or the VPT Inc. Sales Department for more information concerning additional environmental screening and testing, different input voltage, output voltage, power requirement, source inspection, and/or special element evaluation for space or other higher quality applications.

DSCC DRAWING NUMBER

DSCC Drawing	DVME28 Series Similar Part Number
07004-01HXC	DVME28/H

Do not use the DVMA28 Series similar part number for DSCC Drawing product acquisition. It is listed for reference only. For exact specifications for the DSCC Drawing product, refer to the DSCC Drawing. DSCC Drawings can be downloaded from the DSCC website at <http://www.dsccl.dla.mil/programs/smcr/>. The DSCC Drawing number listed above is for MIL-PRF-38534 Class H screening, standard gold plated lead finish, and no RHA (Radiation Hardness Assurance) level. Please reference the DSCC Drawing for other screening levels, lead finishes, and radiation levels. All DSCC Drawing products are marked with a "Q" on the cover as specified by the QML certification mark requirement of MIL-PRF-38534.

CONTACT INFORMATION

To request a quotation or place orders please contact your sales representative or the VPT Inc. Sales Department at:

Phone: (425) 353-3010
Fax: (425) 353-4030
E-mail: vpsales@vpt-inc.com

All information contained in this datasheet is believed to be accurate, however, no responsibility is assumed for possible errors or omissions. The products or specifications contained herein are subject to change without notice.