



DVSB2800D Series

HIGH RELIABILITY HYBRID DC-DC CONVERTERS

DESCRIPTION

The DVSB series of high reliability DC-DC converters is operable over the full military (-55 °C to +125 °C) temperature range with no power derating. Unique to the DVSB series are robust and effective input and output filters which provide dramatically reduced input and output noise performance when compared to other manufacturers competing devices. Operating at a nominal fixed frequency of 325 kHz, per stage, these regulated, isolated units utilize a high speed magnetic feedback design and well controlled undervoltage lockout circuitry to eliminate slow start-up problems.

These converters are designed and manufactured in a facility qualified to ISO9001 and certified to MIL-PRF-38534 and MIL-STD-883.

This product may incorporate one or more of the following U.S. patents:

- 5,784,266
- 5,790,389
- 5,963,438
- 5,999,433
- 6,005,780
- 6,084,792
- 6,118,673

FEATURES

- High Reliability
- Very Low Output Noise
- Wide Input Voltage Range: 15 to 50 Volts per MIL-STD-704
- Up to 12.5 Watts Output Power
- Fault Tolerant Magnetic Feedback Circuit
- NO Use of Optoisolators
- Undervoltage Lockout
- Indefinite Short Circuit Protection
- Current Limit Protection
- High Input Transient Voltage: 80 Volts for 1 sec per MIL-STD-704A
- Precision Projection Welded Hermetic Package
- High Power Density
- Custom Versions Available
- Additional Environmental Screening Available
- Meets MIL-STD-461C and MIL-STD-461D EMC Requirements When Used With a DVMH28 EMI Filter
- Flanged and Non-flanged Versions Available.
- MIL-PRF-38534 Element Evaluated Components

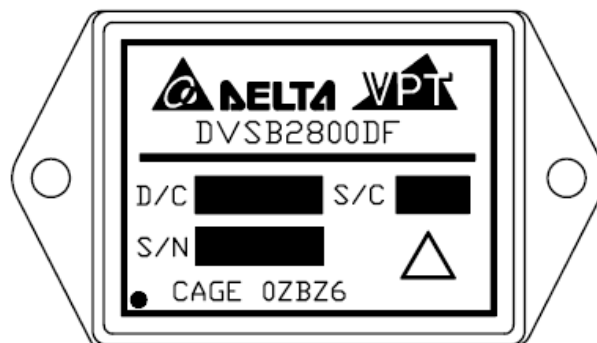


Figure 1 – DVSB2800D / DVSB2800DF DC-DC Converter
(Exact marking may differ from that shown)

SPECIFICATIONS ($T_{CASE} = -55^{\circ}\text{C}$ to $+125^{\circ}\text{C}$, $V_{IN} = +28\text{V} \pm 5\%$, Full Load, Unless Otherwise Specified)

ABSOLUTE MAXIMUM RATINGS

Input Voltage (Continuous)	50 V _{DC}	Junction Temperature Rise to Case	+15°C
Input Voltage (Transient, 1 second)	80 Volts	Storage Temperature	-65°C to +150°C
Output Power	12.5 Watts	Lead Solder Temperature (10 seconds)	270°C
Power Dissipation (Full Load, $T_{CASE} = +125^{\circ}\text{C}$)	6.0 Watts	Weight (Maximum) (Un-Flanged / Flanged)	(24 / 28) Grams

Parameter	Conditions	DVSB2853R3D			Units	
		Min	Typ	Max		
STATIC						
INPUT Voltage ⁴	Continuous	15	28	50	V	
	Transient, 1 sec ⁴	-	-	80	V	
Current	Inhibited	-	3.5	5.0	mA	
	No Load	-	-	60	mA	
Ripple Current	Full Load, 20Hz to 10MHz	-	40	60	mA _{p-p}	
Inhibit Pin Input ⁴		0	-	1.5	V	
Inhibit Pin Open Circuit Voltage ⁴		12	14	17	V	
UVLO Turn On		10.5	-	14.5	V	
UVLO Turn Off ⁴		8.5	-	13.5	V	
OUTPUT Voltage	V _{OUT1}	$T_{CASE} = 25^{\circ}\text{C}$	4.95	5.0	5.05	V
	V _{OUT2}		3.267	3.3	3.333	V
	V _{OUT1}	$T_{CASE} = -55^{\circ}\text{C}$ to $+125^{\circ}\text{C}$	4.925	5.0	5.075	V
	V _{OUT2}		3.25	3.3	3.35	V
Power ^{3,4}	Total	0	-	12.5	W	
	V _{OUT1}	0	-	7.5	W	
	V _{OUT2}	0	-	5	W	
Current ³	V _{OUT1}	0	-	1.5	A	
	V _{OUT2}	0	-	1.5	A	
Ripple Voltage	V _{OUT1} V _{OUT2}	Full Load, 20Hz to 10MHz	-	40	60	mV _{p-p}
Line Regulation	V _{OUT1} V _{OUT2}	$V_{IN} = 15\text{V}$ to 50V	-	0	25	mV
Load Regulation	V _{OUT1} V _{OUT2}	No Load to Full Load	-	10	50	mV
Cross Regulation	V _{OUT1} V _{OUT2}	$V_{OUT1} = 0\%$, $V_{OUT2} = 100\%$ $V_{OUT1} = 100\%$, $V_{OUT2} = 0\%$	-	10	50	mV
EFFICIENCY		Full Load	69	74	-	%
LOAD FAULT POWER DISSIPATION		Overload ⁴	-	-	10	W
		Short Circuit	-	-	10	W
CAPACITIVE LOAD ⁴		Either Output	-	-	500	μF
SWITCHING FREQUENCY			550	650	700	kHz
SYNCHRONIZATION FREQUENCY ⁵			700	750	800	kHz
ISOLATION		500 V _{DC} , $T_{CASE} = 25^{\circ}\text{C}$	100	-	-	MΩ
MTBF (MIL-HDBK-217F)		AIF @ $T_C = 55^{\circ}\text{C}$	-	350	-	kHrs

SPECIFICATIONS ($T_{CASE} = -55^{\circ}\text{C}$ to $+125^{\circ}\text{C}$, $V_{IN} = +28\text{V} \pm 5\%$, Full Load, Unless Otherwise Specified)

ABSOLUTE MAXIMUM RATINGS			
Input Voltage (Continuous)	50 V_{DC}	Junction Temperature Rise to Case	+15°C
Input Voltage (Transient, 1 second)	80 Volts	Storage Temperature	-65°C to +150°C
Output Power	12.5 Watts	Lead Solder Temperature (10 seconds)	270°C
Power Dissipation (Full Load, $T_{CASE} = +125^{\circ}\text{C}$)	6.0 Watts	Weight (Maximum) (Un-Flanged / Flanged)	(24 / 28) Grams

Parameter	Conditions	DVSB2853R3D			Units	
		Min	Typ	Max		
DYNAMIC						
Load Step Output Transient	V_{OUT1} V_{OUT2}	Half Load to Full Load	-	200	400	mV_{PK}
Load Step Recovery ²	V_{OUT1} V_{OUT2}		-	450	700	μSec
Line Step Output Transient ⁴	V_{OUT1} V_{OUT2}	$V_{IN} = 16\text{V}$ to 40V	-	100	400	mV_{PK}
Line Step Recovery ^{2,4}	V_{OUT1} V_{OUT2}		-	300	600	μSec
Turn On Delay		$V_{IN} = 0\text{V}$ to 28V	-	-	20	mSec
Turn On Overshoot	V_{OUT1}		-	-	25	mV_{PK}
	V_{OUT2}		-	-	15	mV_{PK}

- Notes:
1. This note intentionally not used.
 2. Time for output voltage to settle within 1% of its nominal value.
 3. Derate linearly to 0 at 135°C.
 4. Verified by qualification testing.
 5. Synchronization is TTL signal with $V_{SYNC\ MAX} = 6\text{V}$.

BLOCK DIAGRAM

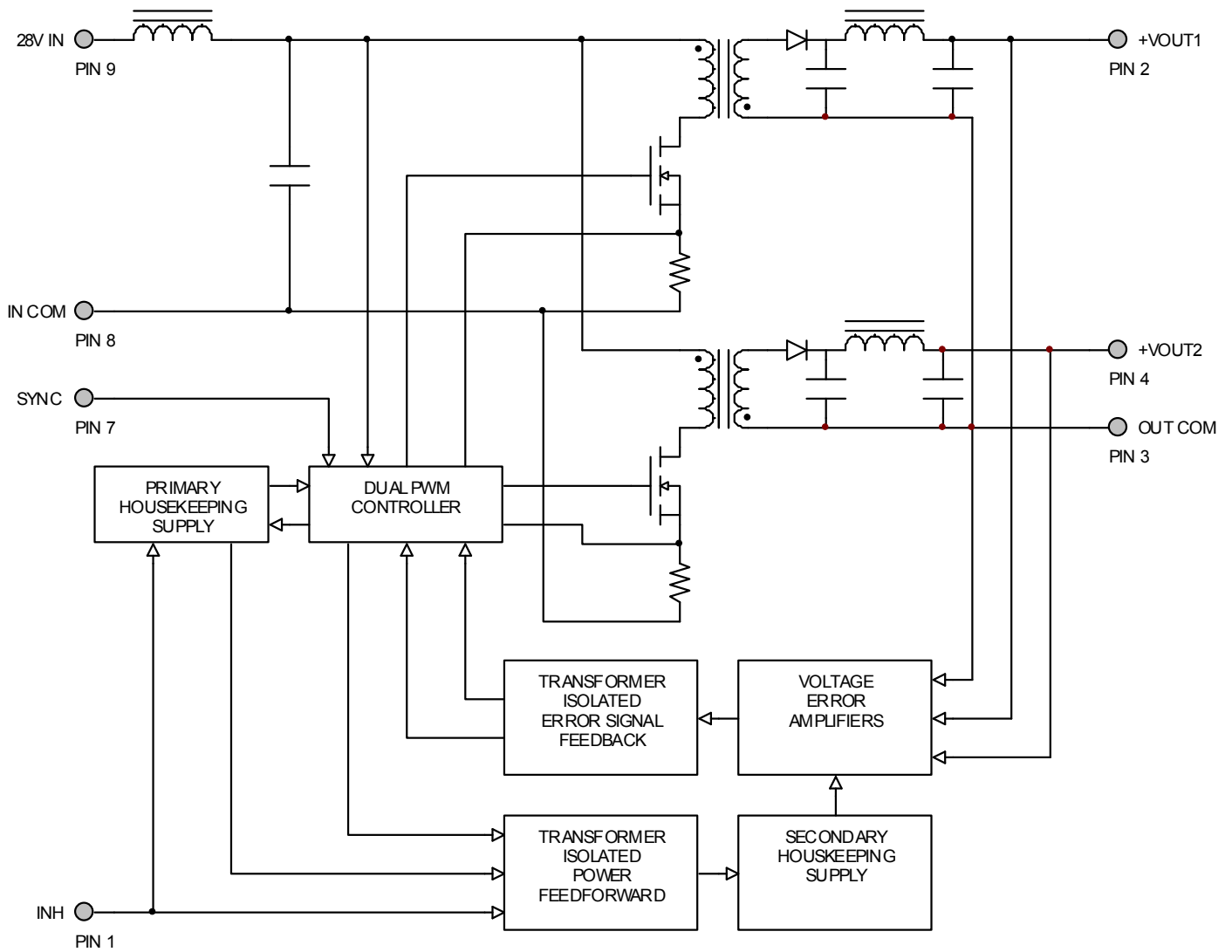


Figure 2

CONNECTION DIAGRAM

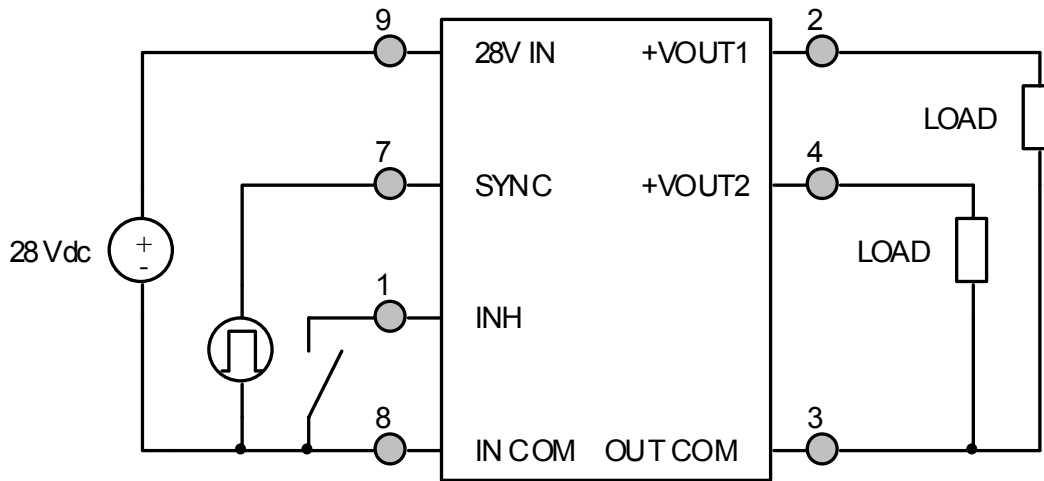


Figure 3

INHIBIT DRIVE CONNECTION DIAGRAMS

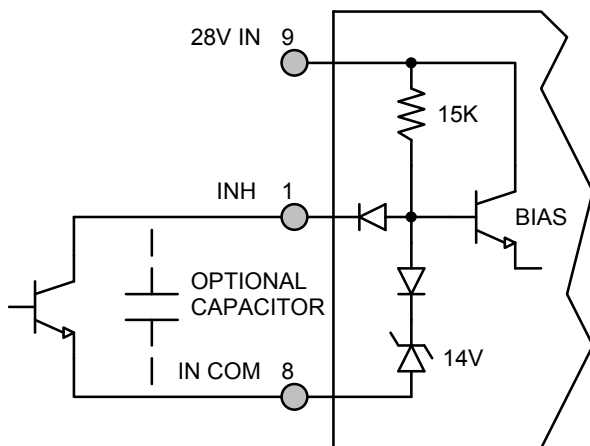


Figure 4 – Internal Inhibit Circuit and Recommended Drive
(Shown with optional capacitor for turn-on delay)

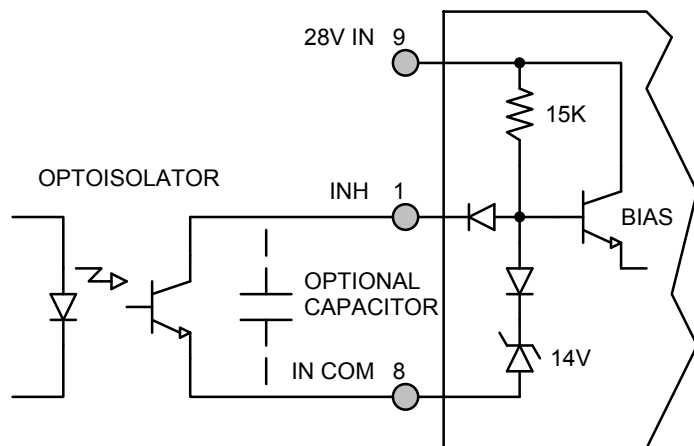


Figure 5 – Isolated Inhibit Drive
(Shown with optional capacitor for turn-on delay)

EMI FILTER HOOKUP DIAGRAM

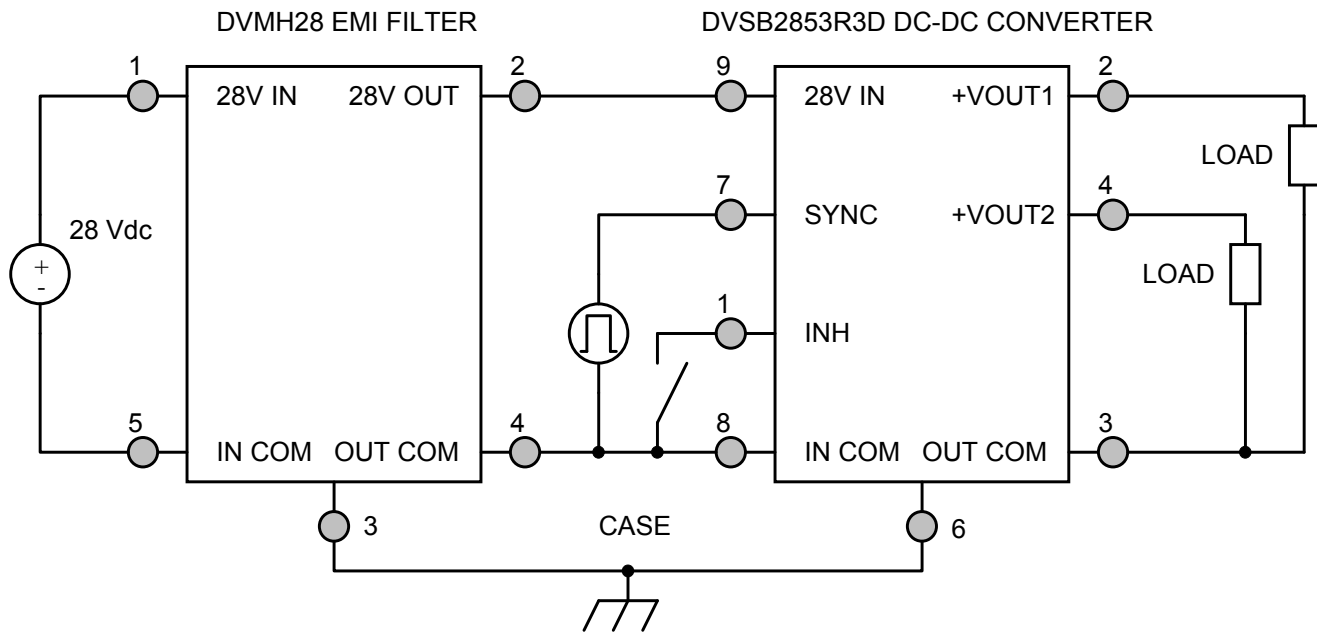


Figure 6 – Converter with EMI Filter

EFFICIENCY PERFORMANCE CURVES ($T_{CASE} = 25^{\circ}C$)

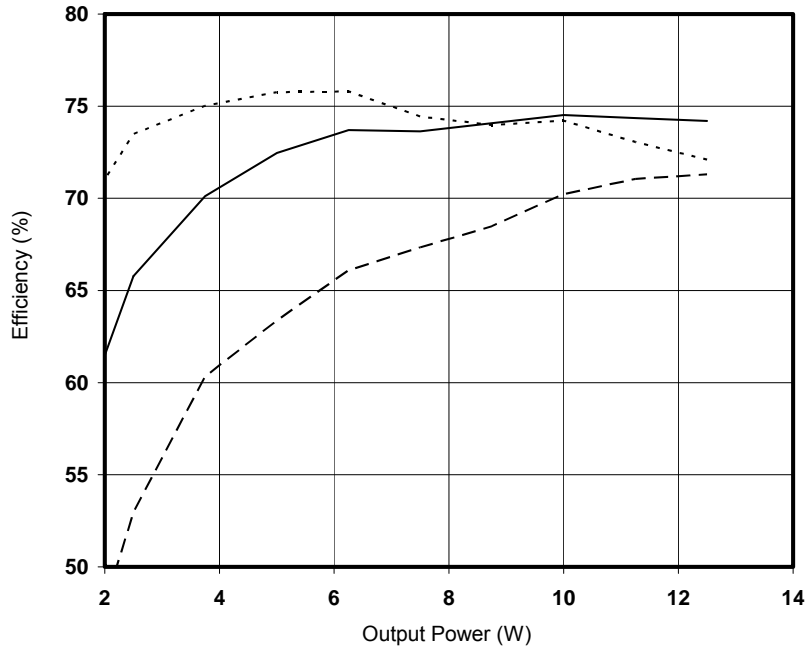


Figure 7 – DVSB2853R3D
Efficiency (%) vs. Output Power (W)

EMI PERFORMANCE CURVES

($T_{CASE} = 25^{\circ}C$, $V_{IN} = +28V \pm 5\%$, Full Load, Unless Otherwise Specified)

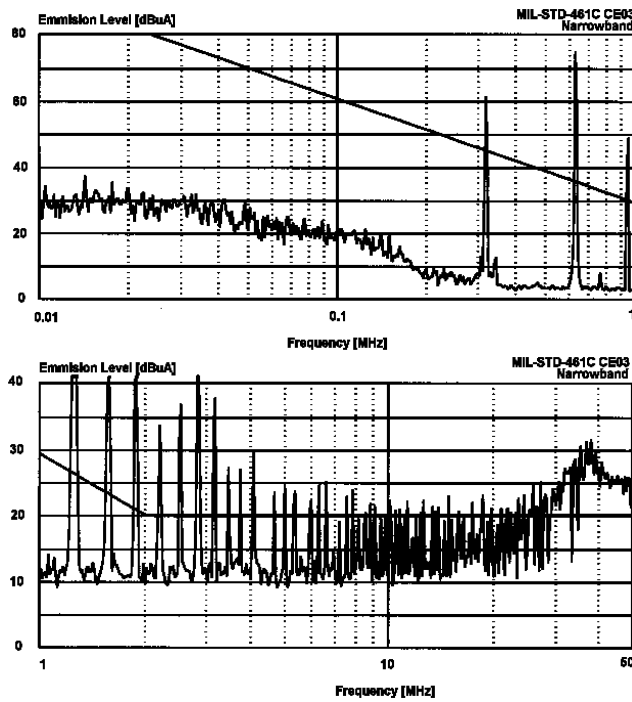


Figure 9 – DVSB2853R3D without EMI Filter

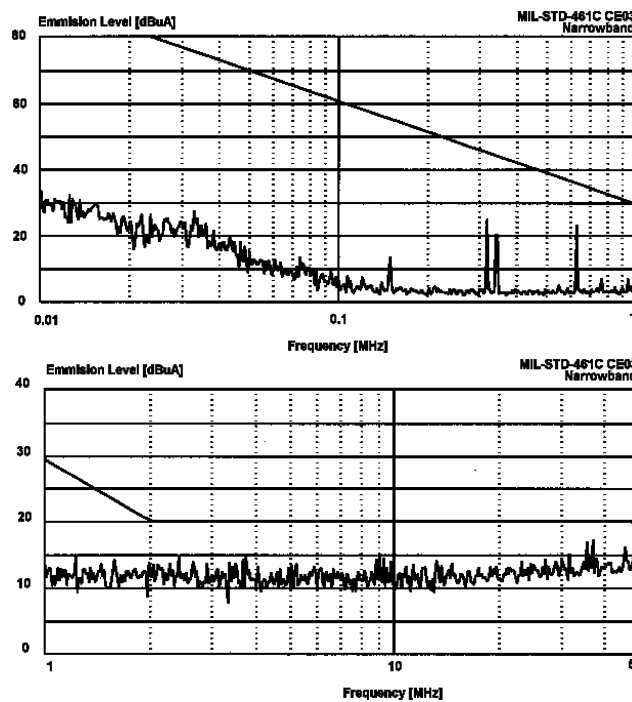
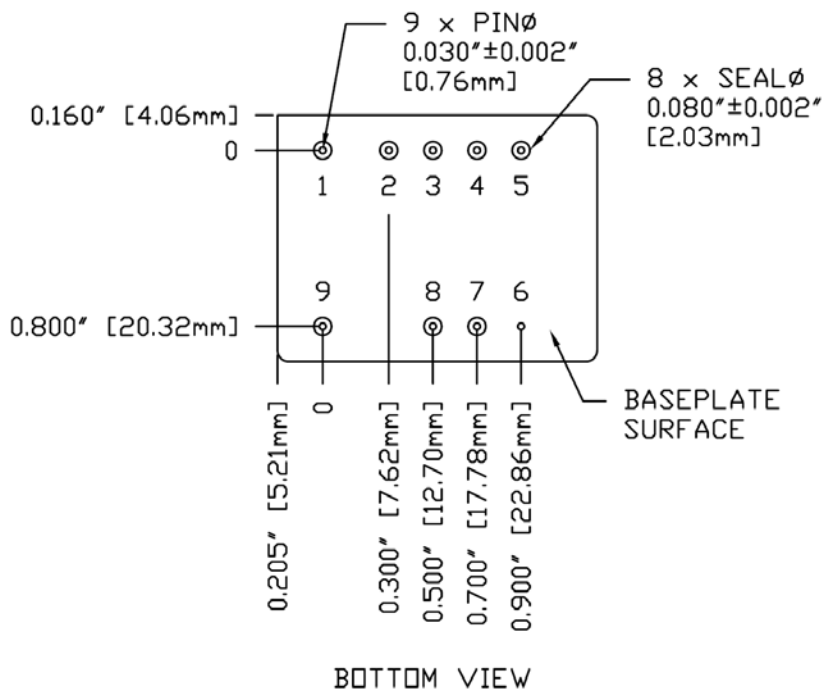
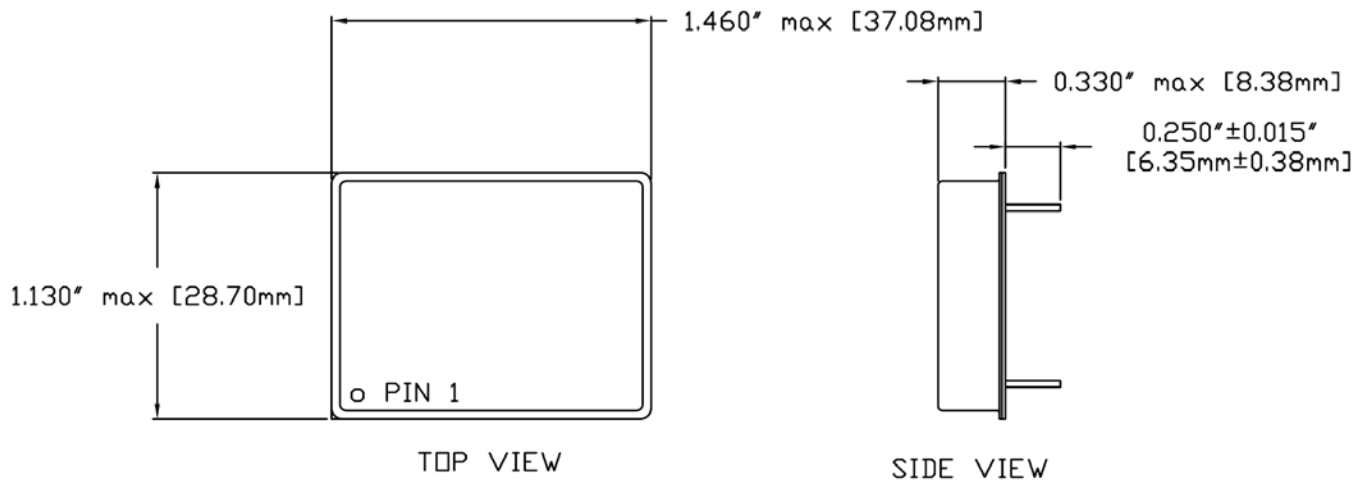


Figure 10 – DVSB2853R3D with EMI Filter

PACKAGE SPECIFICATIONS (NON-FLANGED)

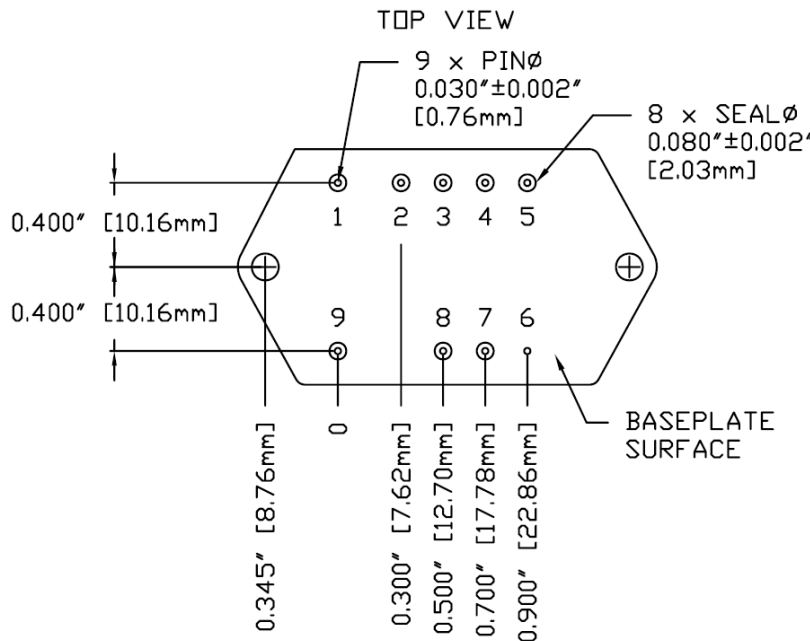
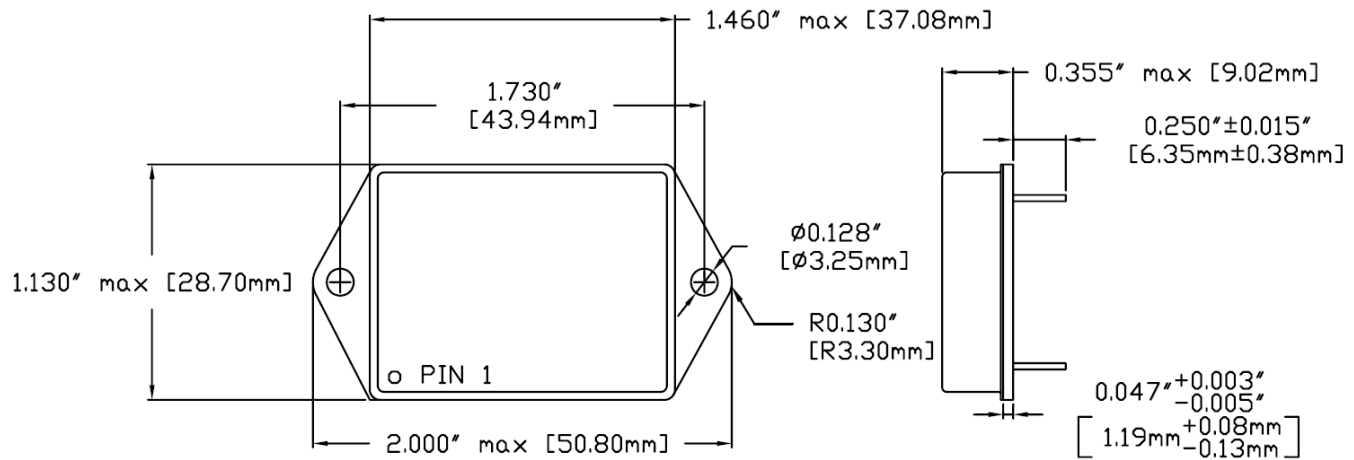


- NOTES:
1. DIMENSIONAL LIMITS ARE $\pm 0.005"$ UNLESS OTHERWISE STATED.
 2. CASE TEMPERATURE IS MEASURED ON THE CENTER OF THE BASEPLATE.
 3. MATERIALS:
CASE: STEEL, GOLD OVER NICKEL PLATED.
COVER: STEEL, NICKEL PLATED.
PINS: ALLOY 52, GOLD OVER NICKEL PLATED.
PIN SEALS: GLASS

PIN	FUNCTION	PIN	FUNCTION	PIN	FUNCTION
1	INHIBIT	4	+VOUT2	7	SYNC
2	+VOUT1	5	N/C	8	IN COM
3	OUT COM	6	CASE	9	28V IN

Figure 11 – Non-Flanged Package and Pinout

PACKAGE SPECIFICATIONS (FLANGED)



- NOTES:
1. DIMENSIONAL LIMITS ARE $\pm 0.005"$ UNLESS OTHERWISE STATED.
 2. CASE TEMPERATURE IS MEASURED ON THE CENTER OF THE BASEPLATE.
 3. MOUNTING HOLES ARE NOT THREADED. RECOMMENDED FASTENER IS #4-40 SCREW.
 4. MATERIALS:
CASE: STEEL, GOLD OVER NICKEL PLATED.
COVER: STEEL, NICKEL PLATED.
PINS: ALLOY 52, GOLD OVER NICKEL PLATED.
PIN SEALS: GLASS

PIN	FUNCTION	PIN	FUNCTION	PIN	FUNCTION
1	INHIBIT	4	+VOUT2	7	SYNC
2	+VOUT1	5	N/C	8	IN COM
3	OUT COM	6	CASE	9	28V IN

Figure 12 – Flanged Package and Pinout

PACKAGE PIN DESCRIPTION

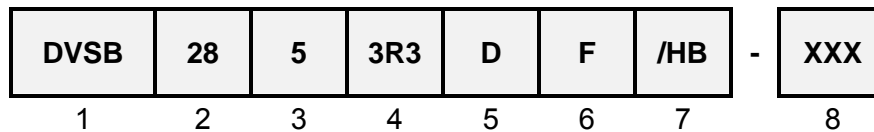
Pin	Function	Description
1	INHIBIT	Logic Low = Disabled Output. Connecting the inhibit pin to input common causes converter shutdown. Logic High = Enabled Output. Unconnected or open collector TTL.
2	+VOUT1	Positive Output 1 Voltage Connection
3	OUT COM	Output Common Connection
4	+VOUT2	Positive Output 2 Voltage Connection
5	N/C	No Connection
6	CASE	Case Connection
7	SYNC	Synchronization Signal
8	IN COM	Input Common Connection
9	28V IN	Positive Input Voltage Connection

ENVIRONMENTAL SCREENING (100% Tested Per MIL-STD-883 as referenced to MIL-PRF-38534)

Screening	MIL-STD-883	Standard (No Suffix)	Extended /ES	HB /HB	Class H /H	Class K /K
Non-Destructive Bond Pull	Method 2023	•	•	•	•	•
Internal Visual	Method 2017, 2032 Internal Procedure	•	•	•	•	•
Temperature Cycling	Method 1010, Condition C Method 1010, -55°C to 125°C		•	•	•	•
Constant Acceleration	Method 2001, 3000g, Y1 Direction Method 2001, 500g, Y1 Direction		•	•	•	•
PIND	Method 2020, Condition A ²					•
Pre Burn-In Electrical	100% at 25°C					•
Burn-In	Method 1015, 320 hours at +125°C Method 1015, 160 hours at +125°C 96 hours at +125°C 24 hours at +125°C	•	•	•	•	•
Final Electrical	MIL-PRF-38534, Group A ¹ 100% at 25°C	•	•	•	•	•
Hermeticity	Method 1014, Fine Leak, Condition A Method 1014, Gross Leak, Condition C Dip (1 x 10 ⁻³)	•	•	•	•	•
Radiography	Method 2012 ³					•
External Visual	Method 2009	•	•	•	•	•

- Notes:
1. 100% R&R testing at -55°C, +25°C, and +125°C with all test data included in product shipment.
 2. PIND test Certificate of Compliance included in product shipment.
 3. Radiographic test Certificate of Compliance and film(s) included in product shipment.

ORDERING INFORMATION



(1) Product Series	(2) Nominal Input Voltage		(3) Output 1 Voltage		(4) Output 2 Voltage	
DVSB	28	28 Volts	5	+5 Volts	3R3	+3.3 Volts

(5) Number of Outputs		(6) Package Option		(7) Screening Code ^{1,2}		(8) Additional Screening Code
D	Dual	None F	Non-Flanged Flanged	None /ES /HB /H /K	Standard Extended HB Class H Class K	Contact Sales

- Notes:
1. Contact the VPT Inc. Sales Department for availability of Class H (/H) or Class K (/K) qualified products.
 2. VPT Inc. reserves the right to ship higher screened or SMD products to meet lower screened orders at our sole discretion unless specifically forbidden by customer contract.

Please contact your sales representative or the VPT Inc. Sales Department for more information concerning additional environmental screening and testing, different input voltage, output voltage, power requirement, source inspection, and/or special element evaluation for space or other higher quality applications.

SMD (STANDARD MICROCIRCUIT DRAWING) NUMBERS

Standard Microcircuit Drawing (SMD)	DVSB2800D Series Similar Part Number
5962-0820701HXC 5962-0820701HYC	DVSB2853R3D/H DVSB2853R3DF/H

Do not use the DVSB2800D Series similar part number for SMD product acquisition. It is listed for reference only. For exact specifications for the SMD product, refer to the SMD drawing. SMD's can be downloaded from the DSCC website at <http://www.dscclia.mil/programs/smcr/>. The SMD number listed above is for MIL-PRF-38534 Class H screening, standard gold plated lead finish, and no RHA (Radiation Hardness Assurance) level. Please reference the SMD for other screening levels, lead finishes, and radiation levels. All SMD products are marked with a "Q" on the cover as specified by the QML certification mark requirement of MIL-PRF-38534.

CONTACT INFORMATION

To request a quotation or place orders please contact your sales representative or the VPT Inc. Sales Department at:

Phone: (425) 353-3010
Fax: (425) 353-4030
E-mail: vptsales@vpt-inc.com

All information contained in this datasheet is believed to be accurate, however, no responsibility is assumed for possible errors or omissions. The products or specifications contained herein are subject to change without notice.